



NO IMAGE  
AVAILABLE

## TM-24F1W

DC-40 GHz

DC-40 GHz 2.4mm Female 1 Watt Termination

### PRODUCT SPECIFICATIONS

#### KEY FEATURES

Polarity	Standard
Interface	2.4mm
Connector Gender	Female
Impedance	50 $\Omega$
Input Power max. (Watts)	1

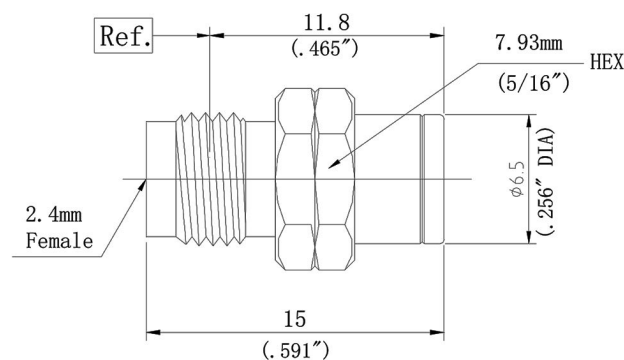
#### PERFORMANCE FEATURES

Frequency Range	DC-40 GHz
VSWR	1.30:1 typ.
Connector Rating	500 Cycles
Operating Temperature	-55°C to +100°C

#### MATERIAL FEATURES

Body Material	Passivated Stainless Steel
Body Plating	Passivated Stainless Steel
Center Contact	Beryllium Copper

### OUTLINE DRAWING



Scan here for Vista-RF.com

Vista RF, Inc.  
Rocklin, CA 95677  
sales@vista-rf.com  
www.vista-rf.com