



NO IMAGE
AVAILABLE

AD-WR2824F-1

26.5-40 GHz

WR28 Waveguide to 2.4mm Female Adapter

PRODUCT SPECIFICATIONS

KEY FEATURES

Polarity	Standard
Interface	WR28 - 2.4mm
Connector Gender	WG to Female
Impedance	50 Ω
Body Style	Straight

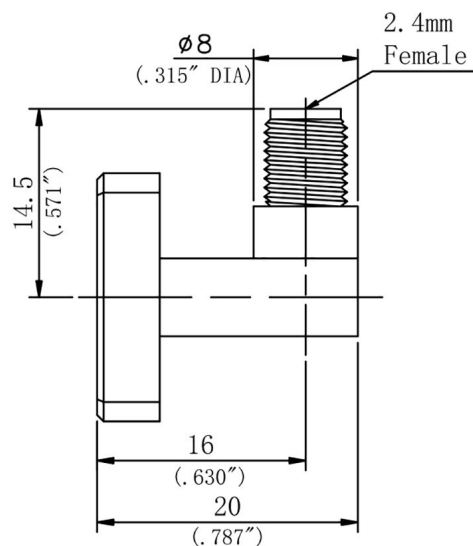
PERFORMANCE FEATURES

Frequency Range	26.5-40 GHz
VSWR	1.25:1
Insertion Loss	N/A
Connector Rating	500 Cycles
Operating Temperature	-55°C to +100°C

MATERIAL FEATURES

Body Material	Passivated Stainless Steel
Body Plating	Passivated Stainless Steel
Center Contact	Beryllium Copper
Insulator	PEI

OUTLINE DRAWING



Scan here for Vista-RF.com

Vista RF, Inc.
Rocklin, CA 95677
(916) 848-4868
www.vista-rf.com