



AD-NM292M

DC-18 GHz

N Male to 2.92mm Male Adapter

PRODUCT SPECIFICATIONS

KEY FEATURES

Polarity	Standard
Interface	N Type - 2.92mm
Connector Gender	Male to Male
Impedance	50 Ω
Body Style	Straight

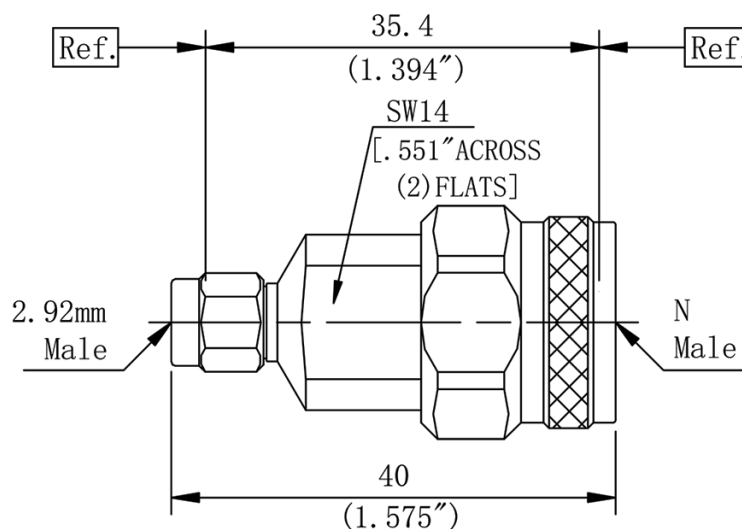
PERFORMANCE FEATURES

Frequency Range	DC-18 GHz
VSWR	1.15:1
Insertion Loss	0.17 dB
Connector Rating	500 Cycles
Operating Temperature	-55°C to +100°C

MATERIAL FEATURES

Body Material	Passivated Stainless Steel
Body Plating	Passivated Stainless Steel
Center Contact	Beryllium Copper
Insulator	PEI

OUTLINE DRAWING



Scan here for Vista-RF.com

Vista RF, Inc.
Rocklin, CA 95677
(916) 848-4868
www.vista-rf.com