



**NO IMAGE
AVAILABLE**

AD-35F292F-4H

DC-33 GHz

3.5mm Female to 2.92mm Female 4 Hole Adapter

PRODUCT SPECIFICATIONS

KEY FEATURES

Polarity	Standard
Interface	3.5mm - 2.92mm
Connector Gender	Female to Female
Impedance	50 Ω
Body Style	Straight

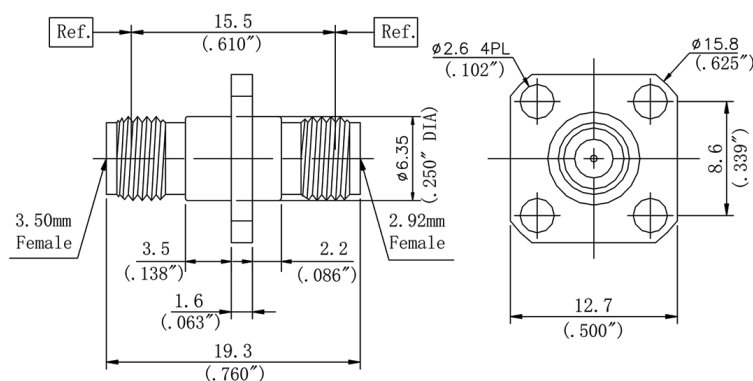
PERFORMANCE FEATURES

Frequency Range	DC-33 GHz
VSWR	1.15:1
Insertion Loss	0.23 dB
Connector Rating	500 Cycles
Operating Temperature	-55°C to +100°C

MATERIAL FEATURES

Body Material	Passivated Stainless Steel
Body Plating	Passivated Stainless Steel
Center Contact	Beryllium Copper
Insulator	PEI

OUTLINE DRAWING



Scan here for Vista-RF.com

Vista RF, Inc.
Rocklin, CA 95677
(916) 848-4868
www.vista-rf.com