



## AD-24FSMM

DC-27 GHz

2.4mm Female to SMA Male Adapter

### PRODUCT SPECIFICATIONS

#### KEY FEATURES

Polarity	Standard
Interface	2.4mm - SMA
Connector Gender	Female to Male
Impedance	50 $\Omega$
Body Style	Straight

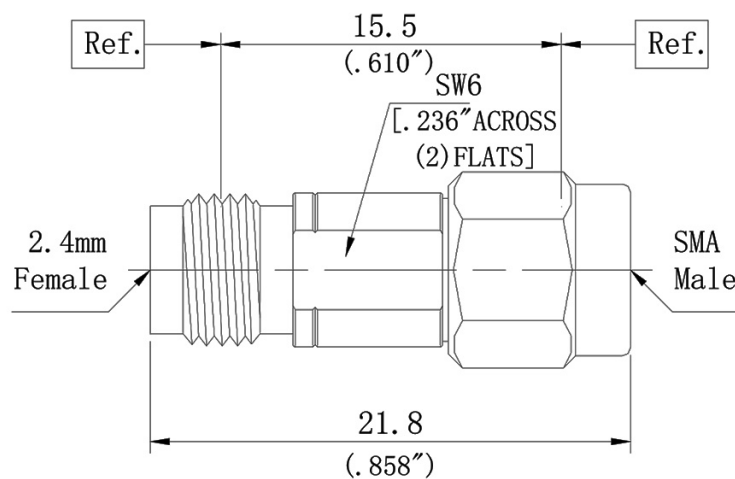
#### PERFORMANCE FEATURES

Frequency Range	DC-27 GHz
VSWR	1.15:1
Insertion Loss	0.25 dB
Connector Rating	500 Cycles
Operating Temperature	-55°C to +165°C

#### MATERIAL FEATURES

Body Material	Passivated Stainless Steel
Body Plating	Passivated Stainless Steel
Center Contact	Beryllium Copper
Insulator	PEI

### OUTLINE DRAWING



Scan here for Vista-RF.com

Vista RF, Inc.  
Rocklin, CA 95677  
(916) 848-4868  
www.vista-rf.com