



NO IMAGE
AVAILABLE

AD-185M185F-RA

DC-67 GHz

1.85mm Male to 1.85mm Female Right Angle Adapt-

PRODUCT SPECIFICATIONS

KEY FEATURES

Polarity	Standard
Interface	1.85mm - 1.85mm
Connector Gender	Male to Female
Impedance	50 Ω
Body Style	Right Angle

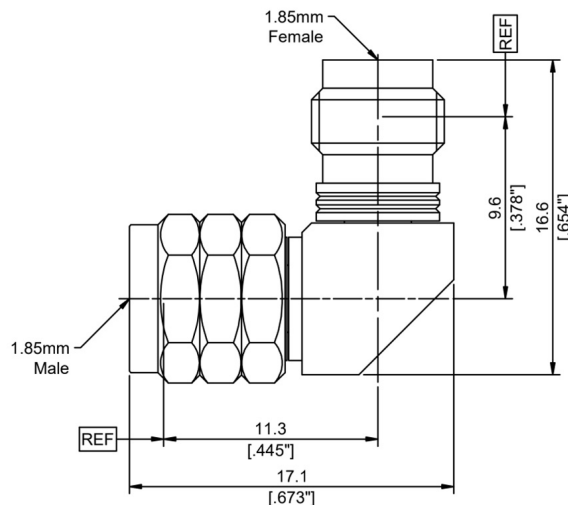
PERFORMANCE FEATURES

Frequency Range	DC-67 GHz
VSWR	1.40:1
Insertion Loss	0.45 dB
Connector Rating	500 Cycles
Operating Temperature	-55°C to +100°C

MATERIAL FEATURES

Body Material	Passivated Stainless Steel
Body Plating	Passivated Stainless Steel
Center Contact	Beryllium Copper
Insulator	PEI

OUTLINE DRAWING



Scan here for Vista-RF.com

Vista RF, Inc.
Rocklin, CA 95677
(916) 848-4868
www.vista-rf.com